



J&H Equipment, Inc.

Material Distribution Made Easy

J&H Multiport Rotary Valve

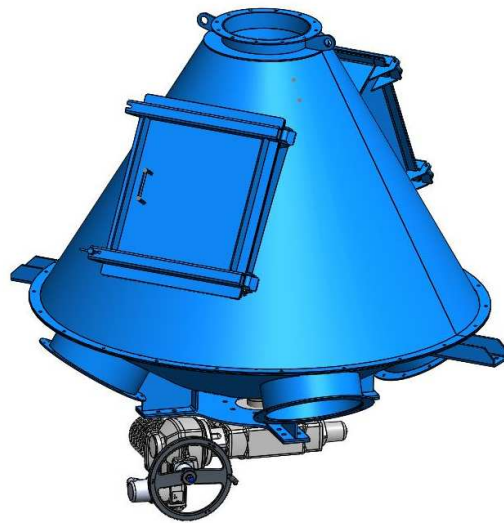
FEATURES:

Multiport Actuator

- Programmable positions
- Electronic Positioning
- Position and Fault indicating feedback signals to Control Room
- Locally Controlled maintenance positions

Common Features

- 3 to 6 discharge ports
- Carbon steel powder coated body
- Large access doors on each side
- Capacity ranges from 50 to 800 tons per hour
- Control can be as simple as a local control box or can be integrated in the DCS control system with live feedback
- Interior Self -Cleaning.

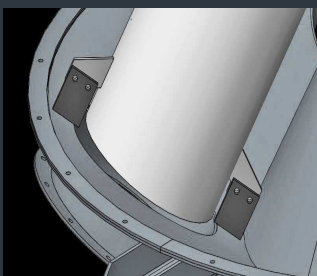
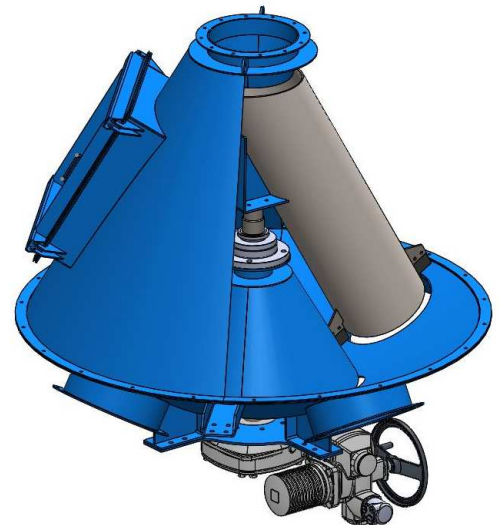


J&H Multiport Rotary valves use a rotary mounted internal chute to direct material from one feed chute into three, four, five, or six radially directed discharge ports. Our valves will handle from 50 to 800 tph and up of dry, loose material. An electronically controlled and programmed actuator positions the rotary chute to align with each port according to digital input command signals. Interior structure is designed for self-cleaning from normal chute operation.

J&H Multiport Rotary valves are designed for ease of operation and reliability. Electronic Controller monitors itself and sends out digital and analog signals that can be monitored from the control room. Their robust design will provide faithful service for years with a minimum of set-up or maintenance intervention required.

J&H Multiport Rotary valves are individually designed and engineered to accommodate customer requirements of plant layout, chute size and orientation, and type of product material. Built with a body of carbon steel, the valves are coated with a durable, industrial powder coat. Internal chutes are of carbon or stainless steel. Feed and Discharge port flanges designed to match customer chute work.

All our diverters are built with large access doors to allow for easy cleanup or access to the internal components. An optional local control box can supplement and simplify control at the actuator.



J&H Equipment Inc. • 140 Sunshine Way • Alpharetta, GA 30005 •
(770) 992-1606 • Fax (770) 992-1983
Web Site: www.jhequipment.com

