



J&H Equipment, Inc.

Improve and Enhance Operation Efficiency

J&H Velocity Breaker

FEATURES:

Velocity Breaker

- Shipped completely assembled
- Can be installed anywhere that material velocity is a problem
- Welded, stainless steel or hardened steel plates on all impact zones
- Powder coated finish for superior protection
- Designed as an added module to any J&H Feeder
- Large access door for easy inspection.



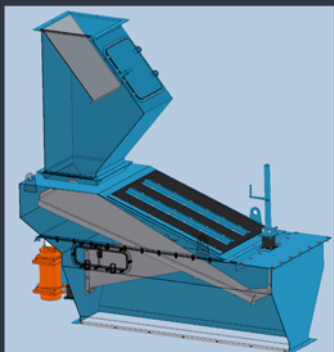
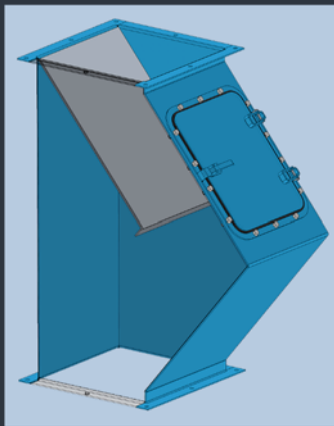
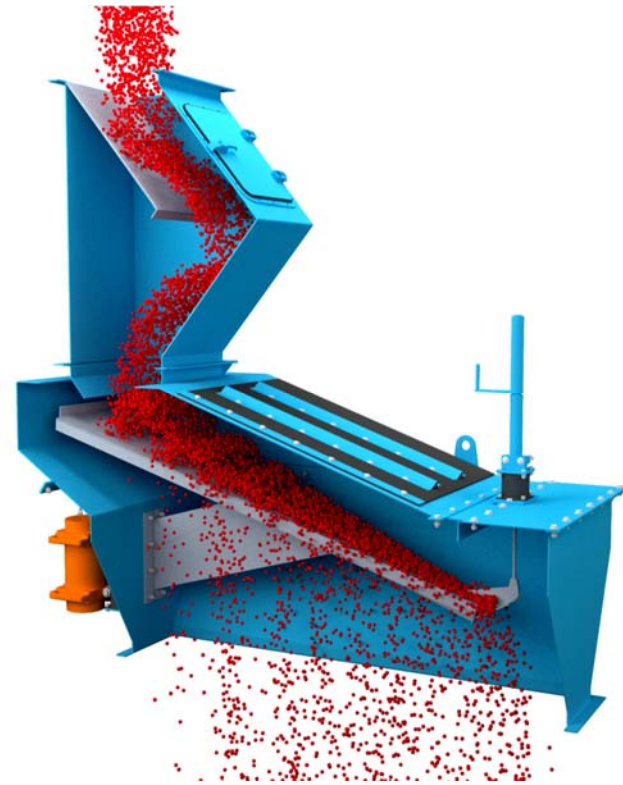
- Module can be mounted directly onto feed inlet.
- Reduces the speed of material in plants configuration where material is allowed to generate excessive velocity.
- Reducing the speed of the material improves the optimal velocity for screening efficiency.
- Ability to adjust orientation at assembly for maximum efficiency.
- The housing of is made of welded, carbon steel plates and is powder coated for superior protection against wear and corrosion.

The J&H Velocity Breaker is designed to improve the operation of and extend the life of a J&H feeder/distributor by reducing the impact and speed of loose, dry product material into the inlet of the feeder.

The J&H Velocity Breaker is intended to be used any time that the product material entering into the J&H feeder has excessive velocity due to a large height differential from the screen splitter valve to the screen feeder. The height of the J&H Velocity Breaker helps to reduce the angle of the distribution chutes. The velocity breaker is designed with a series of inclined impact plates that absorb the force of the material flow.

The inlet and discharge flange of the velocity breaker are identical to the inlet flange for the feeder. Since the flanges have a square bolt pattern, the velocity breaker can be turned to match the angle of the feed chute to get the greatest effect. The discharge of the velocity breaker mounts directly onto the feed inlet of the J&H feeder/distributor.

Incorporating over 40 years of experience, the J&H Velocity Breaker is a proven solution to reducing the impact and speed of loose, dry material.



J&H Equipment Inc. • 140 Sunshine Way • Alpharetta, GA 30005 •

(770) 992-1606 • Fax (770) 992-1983

Web Site: www.jhequipment.com

