



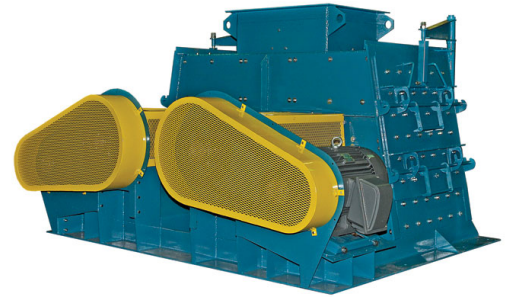
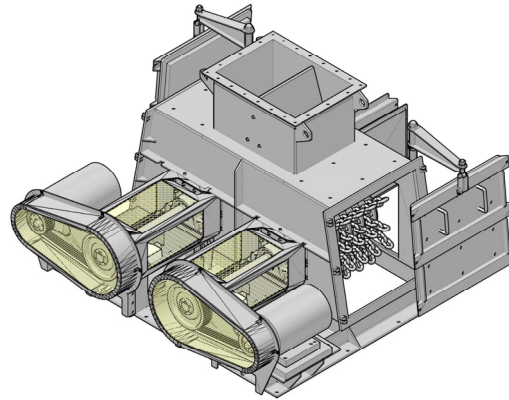
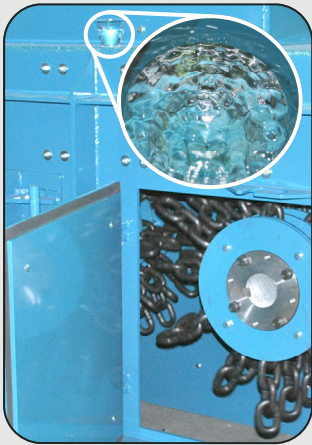
J&H Equipment, Inc. Revolutionizing Pulverizing & Crushing Technologies

NEW AND IMPROVED DESIGN

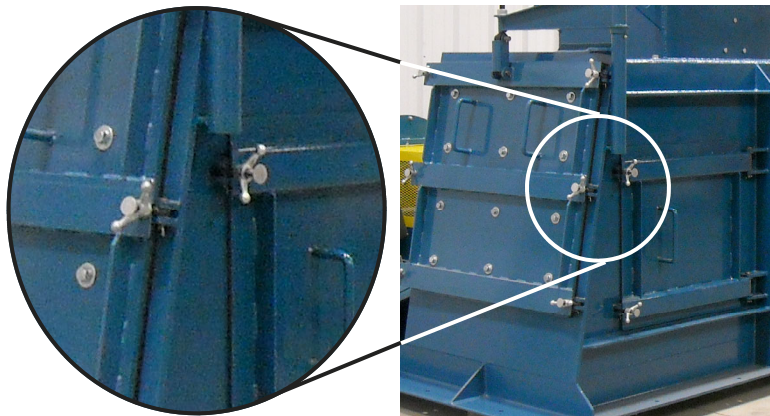
J&H MOD III Dual Rotor Chain Mills

FEATURES:

- Vibration isolation at its best due to J&H unique floating rotor design. While operating cup of water has minimal ripple.



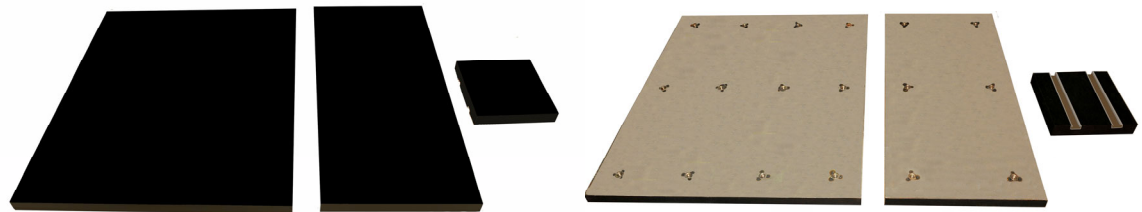
- New non-impact weld in stainless steel liners.
- New 1/2" [13mm] rubber gasket, molded as an integral part of the side access door impact pads guaranteeing no leak.
- New revolutionary solid rubber impact pads with metal backing plate and welded inserted nuts for the ease of maintenance and quick installation.



- New improved quick release locking side and front access doors with superior compression capability for no leak performance.
- Now featuring only 4 impact pads, reducing down time and maintenance cost.
- New full width center hung side doors for ease of handle and decreased access foot print..

New model impact pad consist of only 4 pads for the entire unit, minimizing hardware and decreasing installations significantly.

Previous model impact pad was 12x12 square pad with tracks for aligning spring nuts, Installation was time consuming, 30+ pads 4 bolts per pad totaling 120+ bolt assemblies.



J&H Equipment Inc. • 140 Sunshine Way • Alpharetta, GA 30005 •

(770) 992-1606 • Fax (770) 992-1983

Web Site: www.jhequipment.com